

# MG1 COMPACT MAGNETIC SYSTEM FILTER



**THE ONLY ONE THAT IS REALLY COMPACT, IT CAN BE INSTALLED ALSO IN LIMITED SPACES**

MG1 by RBM represents the best solution to solve plant problems due to particle pollution, especially rust and sand that are formed due to corrosion and scale during the normal operation of a system. Thanks to its compact dimensions, it is perfect when the boiler to be protected is installed in a kitchen cabinet or where installation spaces are very limited and there is no room for other dirt separators. Through its effective and constant action, the magnetic filter collects all the impurities present in the system, preventing them from circulating within it, thus avoiding wear and damage of the circulator and the heat exchanger.



- Super compact
- Retains all impurities
- Fights corrosion
- Increases the lifespan of the boiler
- Maintains optimum system efficiency

By going through a set course, the fluid is forced to cross the many areas that modify its motion and filter its content:



### Swivel connection

it enables to easily connect the filter to connection G 3/4" M of the boiler.

### Filtration chamber



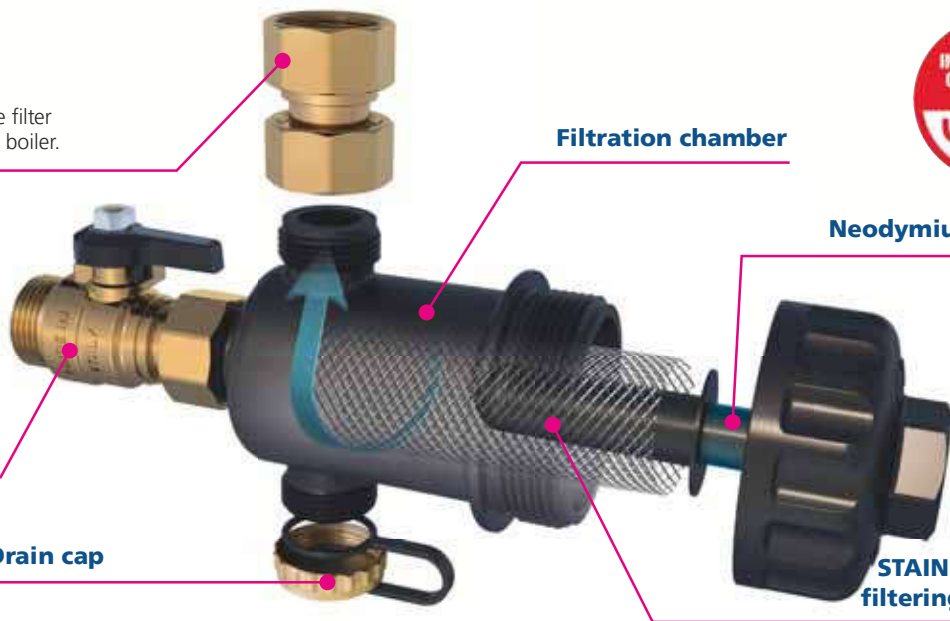
### Neodymium magnet

### Ball valve

it enables to intercept the return circuit.

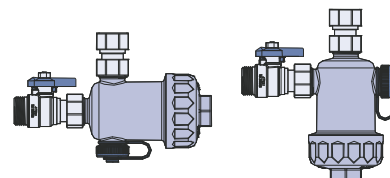
### Drain cap

### STAINLESS STEEL filtering cartridge



## MAXIMUM INSTALLATION VERSATILITY:

It is advised to install MG1 on the return circuit, at the inlet of the boiler, in order to protect it from any impurities in the system, especially during the start-up phase. Thanks to its extreme installation versatility, MG1 can be mounted either with the cartridge/filter body facing the front and downwards.



## 3070

**Magnetic under-boiler sludge remover filter. Supplied complete with swivel filter/boiler connection fitting and ball valve.**

Plastic polymer cartridge holder body.  
Stainless steel AISI 304 filtering cartridge.  
Elastomer hydraulic seals.  
Threaded connections MF UNI-EN-ISO 228

- Max operating pressure 3 Bar
- Operating temperature  $0 \div +90$  °C
- Neodymium magnet  $B = 11000$  gauss
- $B(T_{max}) / B(T_{amb})^* < 1\%$
- \*  $T_{max} = 130$  °C -  $T_{amb} = 21$  °C
- Filtering grade  $800 \mu\text{m}$

■ Technical drawing, page 11.06



🇺🇸 MG1 Magnetic super-compact system filter

🇫🇷 MG1

*Filtre séparateur de boues magnétique sous-chaudière*

🇷🇺 MG1 Магнитный фильтр-грязеотделитель под котлом

🇵🇸 MG1 Filtru de separare a nămolului magnetic aflat sub centrală

🇪🇸 MG1 Filtro desfangador magnético bajo-caldera

🇩🇪 MG1 Magnetischer Schlammabscheider unter dem Heizkessel

Code Code Артикул Cod Código Code	Size Taille Размер Dimensiune Medida Abmessung	Kv (m <sup>3</sup> /h) Kv (m <sup>3</sup> /h) Kv (m <sup>3</sup> /h) Kv (m <sup>3</sup> /h) Kv (m <sup>3</sup> /h)	EURO EURO EURO EURO EURO	Pack Cond. Упак. Cutie Caja Pack.	Carton Emballage Кор. Ambalaj Embalaje Verpack.
3070.05.00	3/4"	5,49	-	1	6

🇺🇸 Magnetic sludge remover filter kit under boiler MG1 + polyphosphate doser

🇫🇷 Kit filtre séparateur de boues magnétique sous-chaudière MG1 + doseur de polyphosphates

🇷🇺 Комплект магнитный фильтр-грязеотделитель под котлом MG1 + дозатор полифосфатов

🇵🇸 Kit filtru denisipator magnetic aflat sub centrală MG1 + dozator de polifosfați

🇪🇸 Kit de filtro extractor de lodos magnético bajo la caldera MG1 + dosificador de polifosfatos

🇩🇪 Bausatz magnetischer Schlammabscheidefilter unter dem Heizkessel MG1 + Polyphosphatdosierer

Code Code Артикул Cod Código Code	EURO EURO EURO EURO EURO	Pack Cond. Упак. Cutie Caja Pack.	Carton Emballage Кор. Ambalaj Embalaje Verpack.
3711.00.00	-	1	6

Kit components supplied in separate packages.

Kit comprising Black MG1 3/4" magnetic sludge remover filter cod. 3070.05.00 and 1/2" polyphosphate doser cod. 3703.04.02

Patent nr 202015000064159



026A



**For the technical features of the polyphosphate doser included in kit code 3711.00.00, refer to page 5.04)**

## 3070

**Magnetic under-boiler sludge remover filter. Supplied complete with swivel filter/boiler connection fitting and ball valve.**

Plastic polymer cartridge holder body.  
Stainless steel AISI 304 filtering cartridge.  
Elastomer hydraulic seals.  
Threaded connections MF UNI-EN-ISO 228

- Max operating pressure 3 Bar
- Operating temperature  $0 \div +90$  °C
- Neodymium magnet  $B = 11000$  gauss
- $B(T_{max}) / B(T_{amb})^* < 1\%$
- \*  $T_{max} = 130$  °C -  $T_{amb} = 21$  °C
- Filtering grade  $800 \mu\text{m}$

■ Technical drawing, page 11.06



🇺🇸 MG1 White super-compact magnetic system filter

🇫🇷 MG1 blanc

*Filtre séparateur de boues magnétique sous-chaudière*

🇷🇺 MG1 Белый Магнитный фильтр-грязеотделитель под котлом

🇵🇸 MG1 Alb Filtru denisipator magnetic aflat sub centrală

🇪🇸 MG1 Blanco Filtro desfangador magnético bajo-caldera

🇩🇪 MG1 Weiß Magnetischer Schlammabscheidefilter unter dem Heizkessel

Code Code Артикул Cod Código Code	Size Taille Размер Dimensiune Medida Abmessung	Kv (m <sup>3</sup> /h) Kv (m <sup>3</sup> /h) Kv (m <sup>3</sup> /h) Kv (m <sup>3</sup> /h) Kv (m <sup>3</sup> /h)	EURO EURO EURO EURO EURO	Pack Cond. Упак. Cutie Caja Pack.	Carton Emballage Кор. Ambalaj Embalaje Verpack.
3070.05.50	3/4"	5,49	-	1	6

🇺🇸 Magnetic sludge remover filter kit under boiler MG1 + polyphosphate doser

🇫🇷 Kit filtre séparateur de boues magnétique sous-chaudière MG1 + doseur de polyphosphates

🇷🇺 Комплект магнитный фильтр-грязеотделитель под котлом MG1 + дозатор полифосфатов

🇵🇸 Kit filtru denisipator magnetic aflat sub centrală MG1 + dozator de polifosfați

🇪🇸 Kit de filtro extractor de lodos magnético bajo la caldera MG1 + dosificador de polifosfatos

🇩🇪 Bausatz magnetischer Schlammabscheidefilter unter dem Heizkessel MG1 + Polyphosphatdosierer

Code Code Артикул Cod Código Code	EURO EURO EURO EURO EURO	Pack Cond. Упак. Cutie Caja Pack.	Carton Emballage Кор. Ambalaj Embalaje Verpack.
3711.00.50	-	1	6

Kit components supplied in separate packages.

Kit comprising Black MG1 3/4" magnetic sludge remover filter cod. 3070.05.50 and 1/2" polyphosphate doser cod. 3703.04.02

Patent nr 202015000064159



026A



**For the technical features of the polyphosphate doser included in kit code 3711.00.50, refer to page 5.04)**

**3174**
**Straight rotary fitting,  
for filter/boiler connection**

Threaded connections FF UNI-EN-ISO 228.



- Straight rotary fitting for filter/boiler connection
- Raccord pivotant droit pour connexion filtre/chaudière*
- Поворотный прямой фитинг для подсоединения фильтра/котла*
- Racord rotativ drept pentru racordul filtru/centrală*
- Racor giratorio recto para conexión filtro/caldera*
- Drehbarer, gerader Anschluss für Anschluss Filter/Heizkessel*

Code Code Артикул Cod Código Code	Size Taille Размер Dimensiune Medida Abmessung	EURO EURO EURO EURO EURO	Pack Cond. Упак. Cutie Caja Pack.	Carton Emballage Кор. Ambalaj Embalaje Verpack.
3174.05.00	3/4"	-	1	6

040

**3174**
**Curved rotary fitting,  
for filter/boiler connection.**

Threaded connections FF UNI-EN-ISO 228.



- Curved rotary fitting, for filter/boiler connection
- Raccord pivotant courbe pour connexion filtre/chaudière*
- Поворотный изогнутый фитинг для подсоединения фильтра/котла*
- Racord rotativ curbat pentru racordul filtru/centrală*
- Racor giratorio curvo para conexión filtro/caldera*
- Gekrümmter, drehbarer Anschluss für Anschluss Filter/Heizkessel*

Code Code Артикул Cod Código Code	Size Taille Размер Dimensiune Medida Abmessung	EURO EURO EURO EURO EURO	Pack Cond. Упак. Cutie Caja Pack.	Carton Emballage Кор. Ambalaj Embalaje Verpack.
3174.05.10	3/4"	-	1	6

040


**Specific fitting for connection of MG1 to boilers with front connection (e.g. Vaillant model).**
**3174**
**Flexible extendible fitting,  
for filter connection.**

Threaded connections MF UNI-EN-ISO 228

L 75 ÷ 125 mm



- Flexible extendible fitting for filter connection
- Raccord flexible extensible pour connexion filtre*
- Гибкий растяжимый фитинг для подсоединения фильтра*
- Racord flexibil extensibil pentru racordul filtru*
- Racor flexible extensible para conexión filtro*
- Anschluss flexibel verlängerbar für Anschluss Filter*

Code Code Артикул Cod Código Code	Size Taille Размер Dimensiune Medida Abmessung	EURO EURO EURO EURO EURO	Pack Cond. Упак. Cutie Caja Pack.	Carton Emballage Кор. Ambalaj Embalaje Verpack.
3174.05.30	3/4"	-	1	6

040

**3174**
**Ball valve with rotary connection.**

Threaded connections MF UNI-EN-ISO 228.



- Ball valve with rotary connection
- Vanne à bille avec raccord tournant*
- Шаровой клапан с поворотным креплением*
- Robinet cu bilă cu prin dere rotativă*
- Válvula de bola con conexión giratoria*
- Kugelventil mit drehbarem Anschluss*

Code Code Артикул Cod Código Code	Size Taille Размер Dimensiune Medida Abmessung	EURO EURO EURO EURO EURO	Pack Cond. Упак. Cutie Caja Pack.	Carton Emballage Кор. Ambalaj Embalaje Verpack.
3174.05.20	3/4"	-	1	6

041

# SafeCleaner2

MULTIFUNCTION MAGNETIC  
DIRT SEPARATOR FILTER  
FOR HYDRAULIC CIRCUITS



**RBM SafeCleaner2** represents the best solution to solve plant problems due to particle pollution, especially rust and sand, that are formed due to corrosion and scale during the normal operation of a system. Through its effective and constant action, the magnetic filter collects all the impurities present in the circuit, preventing them from circulating within it, thus avoiding wear and damage of all the components making up the system. The impurities caught by the filter build up on the bottom of it and are eliminated by simply opening the drain plug.

This way all the magnetic contaminants (ferrous residues) and non-magnetic (algae, sludge, sand...) in the system are removed.



Manual air vent valve

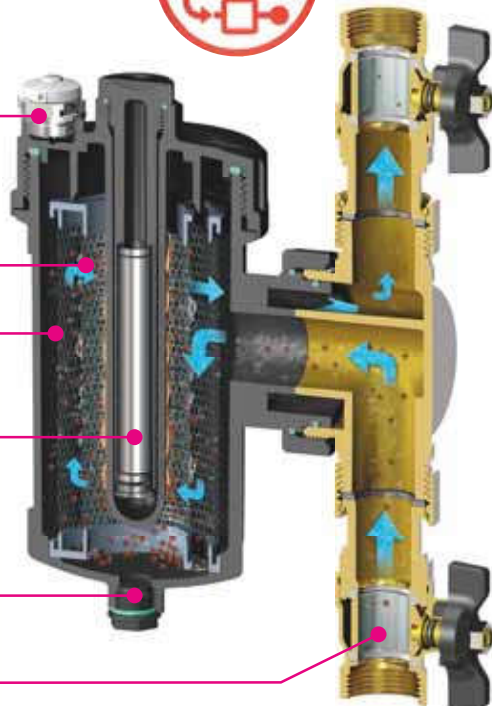
STAINLESS STEEL filtering

Filtration chamber

Neodymium removable magnet

Drain cap

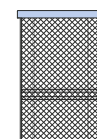
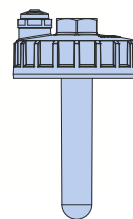
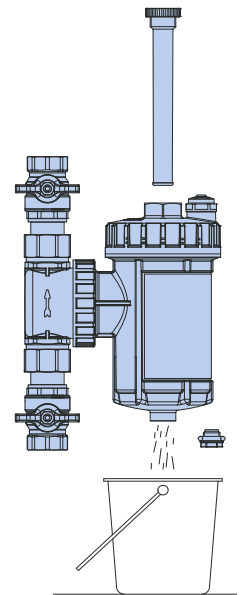
Shut-off ball valve



The large filtering chamber and the choice of using a filter with wide meshes keep SafeCleaner2 from clogging

## Simple cleaning operations:

- Shut off the ball valves
- Remove the magnet from the upper cap
- Open the drain plug and let water flow out.



For a more thorough cleaning of the sludge remover, the filter cap can be completely removed so as to extract the filtering mesh and allow for cleaning and replacement operations.



- Retains all impurities
- Self-cleaning
- Excellent hydraulic properties
- Can be mounted on vertical, horizontal and diagonal piping
- Increases the lifespan of the boiler
- Fights corrosion
- Maintains optimum system efficiency
- Easy dosing of the treatment fluids with 0.5l doses

## 2405

### Multifunction polymer magnetic dirt separator, diverter in brass, FF connection.

Plastic polymer cartridge holder body.  
Nickel plated brass diverter valve.  
Stainless steel AISI 304 filtering cartridge.  
Elastomer hydraulic seals.  
Threaded connections FF UNI-EN-ISO 228.

- Max operating pressure 4 Bar
- Operating temperature  $0 \div +90^\circ\text{C}$
- Neodymium magnet  $B = 11000$  gauss
- $B(T \text{ max}) / B(T \text{ amb})^* < 1\%$
- \*  $T \text{ max} = 130^\circ\text{C} - T \text{ amb} = 21^\circ\text{C}$

■ Technical drawing, page 11.06



- SafeCleaner2 Multifunction magnetic dirt separator filter, diverter in brass, FF connections
- SafeCleaner2 Filtre séparateur de boues magnétique multifonction corps déviateur en laiton raccords FF
- SafeCleaner2 Магнитный фильтр-грязеотделитель, корпус девиатора из латуни, крепления FF
- SafeCleaner2 Filtru de separare a nămolului magnetic, corp deviator din alamă, prinderi Mamă-Mamă
- SafeCleaner2 Filtro desfangador magnético, cuerpo desviador en latón, conexiones FF
- SafeCleaner2 Filter magnetischer Schlammabscheider, Verzweigerkörper aus Messing, Anschlüsse FF

Code Code Артикул Cod Código Code	Size Taille Размер Dimensiune Medida Abmessung	Kv (m³/h) Kv (m³/h) Kv (m³/h) Kv (m³/h) Kv (m³/h)	EURO EURO EURO EURO EURO	Pack Cond. Упак. Cutie Caja Pack.	Carton Emballage Коп. Ambalaj Embalaje Verpack.
2405.05.00	3/4"	6,81	-	1	6
2405.06.00	1"	7,51	-	1	4



Possibility of mounting series 2343 accessory connector (see page 4.28) for plant washing.

026

## 2344

### Multifunction polymer magnetic dirt separator, diverter in brass, with FF ball valves connection.

Plastic polymer cartridge holder body.  
Nickel plated brass diverter valve.  
Stainless steel AISI 304 filtering cartridge.  
Elastomer hydraulic seals.  
Threaded connections FF UNI-EN-ISO 228.

- Max operating pressure 4 Bar
- Operating temperature  $0 \div +90^\circ\text{C}$
- Neodymium magnet  $B = 11000$  gauss
- $B(T \text{ max}) / B(T \text{ amb})^* < 1\%$
- \*  $T \text{ max} = 130^\circ\text{C} - T \text{ amb} = 21^\circ\text{C}$

■ Technical drawing, page 11.06



- SafeCleaner2 Multifunction magnetic dirt separator filter, diverter in brass, with FF connection ball valves
- SafeCleaner2 Filtre séparateur de boues magnétique multifonction corps déviateur en laiton avec vannes à billes raccord FF
- SafeCleaner2 Магнитный многофункциональный фильтр-грязеотделитель, корпус девиатора из латуни, с шаровыми клапанами с креплением FF
- SafeCleaner2 Filtru de separare a nămolului magnetic multifuncțional corp deviator din alamă, cu robinete cu sferă și prindere Mamă-Mamă
- SafeCleaner2 Filtro desfangador magnético multifunción, cuerpo desviador de latón, con válvulas de bola conexión FF
- SafeCleaner2 Multifunktions-Filter magnetischer Schlammabscheider, Verzweigerkörper aus Messing, mit Kugelventilen Anschluss FF

Code Code Артикул Cod Código Code	Size Taille Размер Dimensiune Medida Abmessung	Kv (m³/h) Kv (m³/h) Kv (m³/h) Kv (m³/h) Kv (m³/h)	EURO EURO EURO EURO EURO	Pack Cond. Упак. Cutie Caja Pack.	Carton Emballage Коп. Ambalaj Embalaje Verpack.
2344.05.50	3/4"	6,81	-	1	6
2344.06.50	1"	7,51	-	1	4
2344.07.50	1"1/4	7,51	-	1	4



Possibility of mounting series 2343 accessory connector (see page 4.28) for plant washing.

026

## 2319

### Multifunction polymer magnetic dirt separator, with FF ball valves connection.

Plastic polymer cartridge holder body.  
Plastic polymer diverter valve.  
Stainless steel AISI 304 filtering cartridge.  
Elastomer hydraulic seals.  
Threaded connections FF UNI-EN-ISO 228.

- Max operating pressure 4 Bar
- Operating temperature  $0 \div +90^\circ\text{C}$
- Neodymium magnet  $B = 11000$  gauss
- $B(T \text{ max}) / B(T \text{ amb})^* < 1\%$
- \*  $T \text{ max} = 130^\circ\text{C} - T \text{ amb} = 21^\circ\text{C}$

■ Technical drawing, page 11.06



- SafeCleaner2 Multifunction magnetic dirt separator filter, diverter in polymer, with FF connection ball valves
- SafeCleaner2 Filtre séparateur de boues magnétique multifonction déviateur en polymère avec vannes à billes raccord FF
- SafeCleaner2 Магнитный многофункциональный фильтр-грязеотделитель, корпус девиатора из полимера, с шаровыми клапанами с креплением FF
- SafeCleaner2 Filtru separator de nămol magnetic multifuncțional, corp deviator din polimer, cu robinete cu bilă și prindere Mamă-Mamă
- SafeCleaner2 Filtro desfangador magnético multifunción, cuerpo desviador en polímero, con válvulas de bola conexión FF
- SafeCleaner2 Multifunktions-Filter magnetischer Schlammabscheider, Verzweigerkörper aus Polymere, mit Kugelventilen Anschluss FF

Code Code Артикул Cod Código Code	Size Taille Размер Dimensiune Medida Abmessung	Kv (m³/h) Kv (m³/h) Kv (m³/h) Kv (m³/h) Kv (m³/h)	EURO EURO EURO EURO EURO	Pack Cond. Упак. Cutie Caja Pack.	Carton Emballage Коп. Ambalaj Embalaje Verpack.
2319.05.50	3/4"	6,81	-	1	6
2319.06.50	1"	7,51	-	1	4
2319.07.50	1"1/4	7,51	-	1	4
2487.22.60	Ø22 mm	6,81	-	1	10
2487.28.60	Ø28 mm	7,51	-	1	10



Possibility of mounting series 2343 accessory connector (see page 4.28) for plant washing.

026

# MAG-NUS<sup>2</sup>



## SELF-CLEANING DIRT SEPARATOR WITH MAGNET FOR HYDRAULIC CIRCUITS

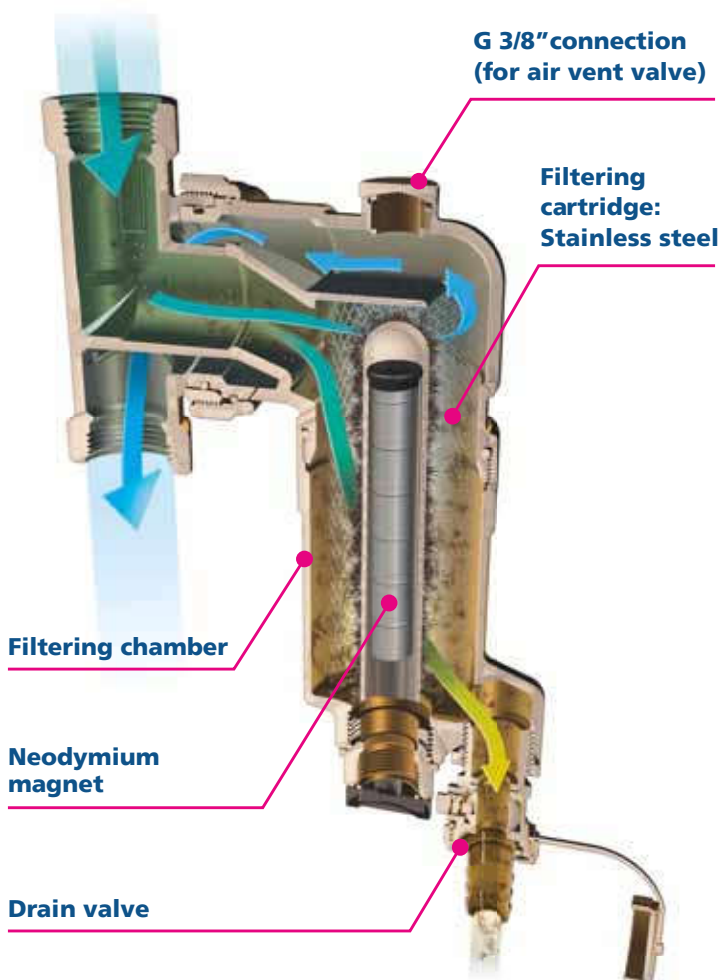
**RBM Mag-nus2** is a self-cleaning dirt separator with magnet suitable for hydraulic systems. It is an extremely innovative product created to remove any type of impurity from heating systems.

RBM Mag-nus2 is the best solution to solve problems caused by particle pollution, especially rust and sand, formed by corrosion. This device helps maintaining the high efficiency of the system, preventing pipe obstruction and boiler failures.

Through its effective action, the magnet attracts iron particles avoiding damages caused by free movements of these into the system.

Impurities (iron, rust, sand, seaweeds) collected in the filter can be removed through the drain valve.

RBM Mag-nus2 must be installed with the drain valve pointing to the bottom.



- Removes any impurity
- Self-cleaning
- Excellent hydraulic properties
- Can be mounted on vertical, horizontal and diagonal piping
- Extends boiler lifespan
- Fights corrosion
- Ensures system efficiency
- Limited overall dimensions



Thanks to the telescopic mounting ring nut, it is easy to fast install **RBM Mag-nus2** in any position:

- STRAIGHT
- VERTICAL
- DIAGONAL

In the upper part there is a female connection G 3/8" that can be used to connect also an automatic air vent valve RBM code 37.03.60.

## 3548

### Self-cleaning magnetic sludge remover filter for hydraulic systems. Provided with drain ball cock with hose end connector.

Brass body.  
Stainless steel AISI 304 filtering cartridge.  
Elastomer hydraulic seals.  
Threaded connections FF UNI-EN-ISO 228.

- Max operating pressure 10 Bar
- Operating temperature 0 ÷ +100 °C
- Max operating temperature 130 °C
- Neodymium magnet B = 11000 gauss
- B(T max) / B(T amb)\* < 1%
- \* T max = 130 °C - T amb = 21 °C

■ Technical drawing, page 11.05



- Mag-nus2 Magnetic self-cleaning dirt separator for hydraulic circuits
- Mag-nus2 Filtre séparateur de boues magnétique autonettoyant pour circuits hydrauliques
- Mag-nus2 Самоочищающийся магнитный фильтр для систем водоснабжения
- Mag-nus2 Filtru eliminator de nămoluri cu autocurățare magnetic pentru circuite hidraulice
- Mag-nus2 Filtro magnético autolimpiante para instalaciones con circuito cerrado
- Mag-nus2 Selbstreinigender Magnetfilter Schlamm-beseitiger für Hydraulikkreisläufe

Code Code Артикул Cod Código Code	Size Taille Размер Dimensiune Medida Abmessung	Kv (m³/h) Kv (m³/s) Kv (m³/h) Kv (m³/h) Kv (m³/h)	EURO EURO EURO EURO EURO	Pack Cond. Упак. Cutie Caja Pack.	Carton Emballage Кор. Ambalaj Embalaje Verpack.
3548.05.00	3/4"	9,50	-	1	4
3548.06.00	1"	10,30	-	1	4

026



**Possibility of mounting series 2343 accessory connector (see page 4.28) for plant washing.**

## 3699

### Self-cleaning magnetic dirt separator for heating pump. Complete with integrated shut-off device and discharge ball cock.

Body in plastic polymer.  
AISI 304 stainless steel reinforced filtering cartridge.  
Elastomer hydraulic seals.  
Union threaded connections MM UNI-EN-ISO 228.

- Max operating pressure 10 Bar
- Operating temperature 0 ÷ +90 °C
- Neodymium magnet B = 11000 gauss
- Filtering grade 800 µm

■ Technical drawing, page 11.06



- MP1 Self-cleaning magnetic dirt separator for heating pumps
- MP1 Séparateur de boues magnétique autonettoyant pour pompes à chaleur
- MP1 Самоочищающийся магнитный фильтр-грязеотделитель для тепловых насосов
- MP1 Denșișator magnetic cu autocurățare pentru pompe de căldură
- MP1 Filtro extractor de lodos magnético con autolimpieza para bombas de calor
- MP1 Magnetischer, automatisch reinigender Schlammabscheider für Wärmepumpe

Code Code Артикул Cod Código Code	Size Taille Размер Dimensiune Medida Abmessung	Kv (m³/h) Kv (m³/s) Kv (m³/h) Kv (m³/h) Kv (m³/h)	EURO EURO EURO EURO EURO	Pack Cond. Упак. Cutie Caja Pack.	Carton Emballage Кор. Ambalaj Embalaje Verpack.
3699.06.00	1"	-	-	1	-

026



### 3173

**Self-cleaning dirt separator.**  
**Provided with drain ball valve with hose end connector.**

Brass body.  
 Inox AISI 304 2 Layers steel filtering cartridge.  
 Elastomer hydraulic seals.  
 FF UNI-EN-ISO 228 threaded fittings.

- Max operating pressure 10 Bar
- Operating temperature  $0 \div +110$  °C
- Neodymium magnet B = 11000 gauss

■ Technical drawing, page 11.05



- Dirterm Mag Self-cleaning magnetic dirt separator
- Dirterm Mag Séparateur de boues magnétique autonettoyant
- Dirterm Mag Магнитный грязесборник
- Dirterm Mag Eliminator de nămoluri magnetic
- Dirterm Mag Desfangador magnético
- Dirterm Mag Magnetischer Schlammabscheider

Code Code Артикул Cod Código Code	Size Taille Размер Dimensiune Medida Abmessung	Kv (m <sup>3</sup> /h) Kv (m <sup>3</sup> /h) Kv (m <sup>3</sup> /h) Kv (m <sup>3</sup> /h) Kv (m <sup>3</sup> /h)	EURO EURO EURO EURO EURO	Pack Cond. Упак. Cutie Caja Pack.	Carton Emballage Кор. Ambalaj Embalaje Verpack.
3173.04.00	1/2"	7,40	-	1	8
3173.05.00	3/4"	12,66	-	1	8
3173.06.00	1"	20,44	-	1	8
3173.07.00	1"1/4	28,14	-	1	8
3173.08.00	1"1/2	44,45	-	1	8
3173.09.00	2"	65,58	-	1	8

026



### 2863

**Self-cleaning dirt separator / deaerator.**  
**Float operated deaerator.**  
**Provided with drain ball valve with hose end connector.**

Brass body.  
 Inox AISI 304 2 Layers steel filtering cartridge.  
 Elastomer hydraulic seals.  
 FF UNI-EN-ISO 228 threaded fittings.

- Max operating pressure 10 Bar
- Max operating discharge pressure 10 Bar
- Operating temperature  $0 \div +110$  °C
- Neodymium magnet B = 11000 gauss

■ Technical drawing, page 11.06



- Airterm Mag Self-cleaning magnetic dirt separator / deaerator
- Airterm Mag Filtre séparateur de boues autonettoyant / séparateur d'air
- Airterm Mag Магнитный грязесборник / Деаэратор
- Airterm Mag Eliminator de nămoluri magnetic/Dezaerator
- Airterm Mag Desfangador magnético / desaireador
- Airterm Mag Magnetischer Schlammabscheider / Entlüfter

Code Code Артикул Cod Código Code	Size Taille Размер Dimensiune Medida Abmessung	Kv (m <sup>3</sup> /h) Kv (m <sup>3</sup> /h) Kv (m <sup>3</sup> /h) Kv (m <sup>3</sup> /h) Kv (m <sup>3</sup> /h)	EURO EURO EURO EURO EURO	Pack Cond. Упак. Cutie Caja Pack.	Carton Emballage Кор. Ambalaj Embalaje Verpack.
2863.04.00	1/2"	7,40	-	1	6
2863.05.00	3/4"	12,66	-	1	6
2863.06.00	1"	20,44	-	1	6
2863.07.00	1"1/4	28,14	-	1	6

026



Magnetic dirt separator + embedded deaerator.



# DIRTERM & DIRTERM MAG



## SELF-CLEANING DIRT SEPARATORS

**Dirterm** represents the best solution to solve plant problems due to particle pollution formed due to corrosion and scale during the normal operation of a system.

Through its effective and constant action, Dirterm collects all the impurities present in the system (even very small which traditional mesh filters are not able to eliminate), preventing them from circulating within it, thus avoiding wear and damage of all the components making up the system.

The impurities stopped by Dirterm are accumulated on its bottom as long as the opening of the specific discharge valve allows the expulsion thereof.

In addition, **Dirterm Mag**, is equipped with a powerful magnet to capture rust particles that are formed due to corrosion and scale during the normal operation of a system.

**DIRTERM**  
dirt separator



**DIRTERM MAG**  
magnetic dirt separator



### Magnet (11.000 gauss)

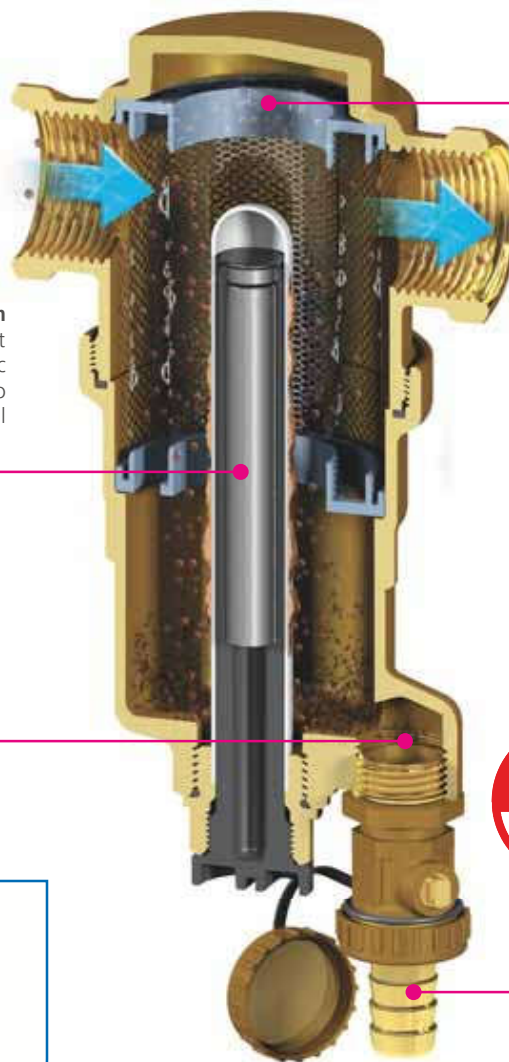
(Only available in the **Dirterm Mag** device) Powerful magnet to capture particles magnetic that are formed due to corrosion during the normal operation of a system.

### Accumulation area

Large and very far from the flow passage, resulting in less frequent maintenance work.



- Eliminates all impurities;
- Self-cleaning;
- Ensures system efficiency;
- Magnetic (only Dirterm Mag);
- Bi-directional



### Innovative Cartridge

made up of stainless steel sheets with different filtering grades. Stainless steel is an exceptional guarantee of long service life, maximum reliability in variable pressure, temperature, greater resistance to corrosion and wear conditions, generated by impurities (as it is increasingly less possible to predict what they are comprised of).



The cartridge contributes to minimising the possibility of impurities running through and offers little resistance to the flow passage, characterised by very low head loss. The special cartridge does not obstruct the descent of the dirt into the accumulation zone in any way, therefore there is no danger of the particles being recovered by the flow running towards the outlet of the dirt separator.



### Purge valve

Adjustable, with hose connector and safety cap.

# AIRTERM DIRT & AIRTERM MAG

## COMBINED SELF-CLEANING DIRT SEPARATORS / DEAERATORS



MAXIMUM DISCHARGE PRESSURE **10 bar**

**Airterm Dirt** combines the functions of common dirt separators and deaerators in a single solution. They are used to remove air and impurities from hydraulic circuits.

In addition, **Airterm Mag** is equipped with a powerful magnet to capture particles such as rust and sand that are formed due to corrosion and scale during the normal operation of a system.

### ADVANTAGES

Merging two different components into one solution has allowed us to significantly reduce overall dimensions with respect to the installation of two separate products: dirt separator + deaerator.

#### Passive part

High-performance air vent valve (discharge guaranteed up to 10 bar).



#### Magnet

(Only available in the Airterm Mag device) Powerful magnet to capture particles magnetic that are formed due to corrosion during the normal operation of a system.

#### Accumulation area

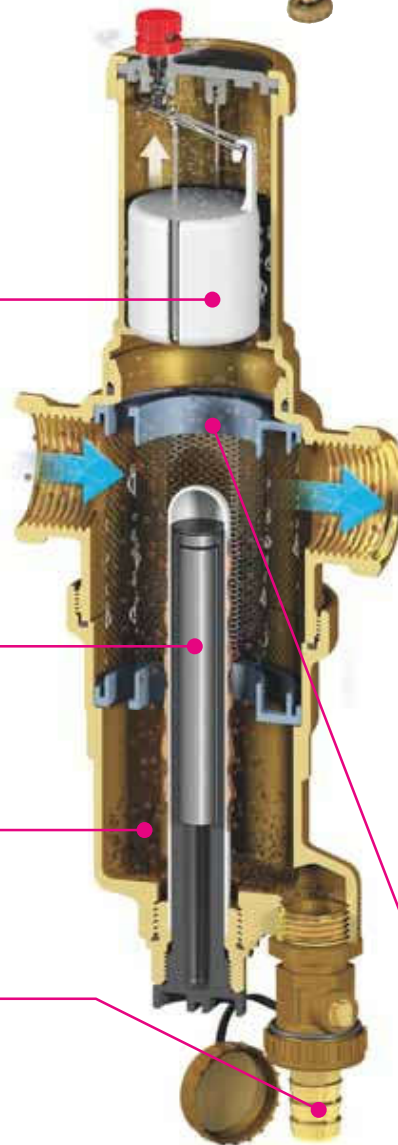
Large and very far from the flow passage, resulting in less frequent maintenance work.

#### Purge valve

Adjustable, with hose connector and safety cap.

**AIRTERM DIRT**  
Dirt separator / deaerator

**AIRTERM MAG**  
Magnetic dirt separator / deaerator



#### Innovative cartridge

made up of stainless steel sheets with different filtering grades. Stainless steel is an exceptional guarantee of long service life, maximum reliability in variable pressure, temperature, greater resistance to corrosion and wear conditions, generated by impurities (as it is increasingly less possible to predict what they are comprised of). The flow goes directly through the cartridge and the continuous changes in sections lead to the creation of swirling movements which promote the release of micro bubbles.

The micro bubbles settle on the internal metal cage and, after reaching an adequate size, they move upwards and are ejected by the passive part of the device. At the same time, this contributes to minimizing the possibility of impurities running through and offers little resistance to the flow passage, characterised by very low head loss. The special cartridge does not obstruct the descent of the dirt into the accumulation zone in any way, therefore there is no danger of the particles being recovered by the flow running towards the outlet of the dirt separator.



- Eliminates all impurities
- Self-cleaning
- Ensures system efficiency
- Large capacity discharge
- High performance (max. discharge pressure 10 bar)
- Multifunction: Built-in dirt separator and deaerator
- Magnetic (Only Airterm Mag)
- Bi-directional



## 3602

### Compact self-cleaning magnetic dirt separator filter for water.

**With drain ball valve.**

**Suitable for boiler room.**

Main body in painted steel on the outside  
Steel cover  
Elastomer seals  
AISI stainless steel filter cartridge

- Max operating pressure 10 Bar
- Max operating temperature 95 °C
- Neodymium magnet
- Filtering grade 100 µm

■ Technical drawing, page 11.07



- MG Compact Compact self-cleaning magnetic dirt separator filter for boiler room
- MG Compact Filtre séparateur de boues magnétique autonettoyant compact pour centrale thermique
- MG Compact Компактный самоочищающийся магнитный фильтр-грязеотделитель для котельной
- MG Compact Filtru separator de nămol magnetic cu autocurăţare compact pentru centrala termică
- MG Compact Filtro desfangador magnético de autolimpieza compacto para central térmica
- Kompakter, magnetischer, automatisch reinigender Entschlammungsfilter für Heizanlage

Code Code Артикул Cod Código Code	Size Taille Размер Dimensiune Medida Abmessung	Kv (m³/h) Kv (m³/h) Kv (m³/h) Kv (m³/h) Kv (m³/h)	EURO EURO EURO EURO EURO	Pack Cond. Упак. Cutie Caja Pack.	Carton Emballage Кор. Ambalaj Embalaje Verpack.
3602.04.00	1/2"	5,50	-	1	1
3602.05.00	3/4"	9,87	-	1	1
3602.06.00	1"	16,59	-	1	1
3602.07.00	1 1/4"	31,10	-	1	1
3602.08.00	1 1/2"	50,60	-	1	1
3602.09.00	2"	81,00	-	1	1

026



## 3611

### Thermal insulation consisting of semi-casings and expanded polyethylene cover with external anti-scratch film coating.

Half-bearings fixed with double-sided adhesive tape already applied.

- Fire behaviour class I
- Density 33 kg/m³
- Max operating temperature -40 ÷ +90 °C



- MG Compact magnetic dirt separator filter thermal casing
- Coque thermique filtre séparateur de boues magnétique MG Compact
- Теплоизоляционный кожух самоочищающийся магнитный фильтр-грязеотделитель MG Compact
- Înzveliş termic filtru denisipator magnetic MG Compact
- Protección térmica filtro extractor de lodos magnético MG Compact
- Wärmeschale magnetischer Schlammabscheidefilter MG Compact

Code Code Артикул Cod Código Code	Size Taille Размер Dimensiune Medida Abmessung	EURO EURO EURO EURO EURO	Pack Cond. Упак. Cutie Caja Pack.	Carton Emballage Кор. Ambalaj Embalaje Verpack.
3611.00.02	1/2" ÷ 2"	-	1	1

041



Thermal insulation suitable for 3602 series MG Compact magnetic dirt separator filter insulation.

# MG COMPACT

## SELF-CLEANING DIRT SEPARATOR WITH MAGNETS FOR BOILER ROOMS



**RBM MG Compact**, a self-cleaning multifunction dirt separator filter with magnets for boiler rooms, represents the best solution to solve plant problems due to pollution resulting from particles of sand and rust that form due to corrosion and incrustations during the normal operation of a system. Thanks to **its powerful magnetic capacity, its size and the flanged connections, MG Compact is used in industrial, commercial and medium and large-scale civil systems.** Through its effective and constant action, the filter collects all the impurities present in the system, preventing them from circulating within it, thus avoiding wear and damage of all the components making up the system.

The impurities blocked by the filter accumulate inside the basket. Cleaning starts by opening the designated discharge valve. In this way all the **magnetic contaminants** (ferrous residues) and **non-magnetic** (algae, sludge, sand...) in the system are removed.



- Removes any impurity
- Self-cleaning
- Maintains optimum system efficiency
- Application in industrial, commercial and medium and large-scale civil systems
- Reinforced stainless steel filtering mesh with 100 micron filtering degree
- Fitted with a dosage point to add treatment
- fluids, easily accessible
- Limited overall dimensions (in relation to the product category)
- Reversible couplings
- Option of in-line installation on a heating system
- Reduced maintenance costs:
  - > Magnets protected from contact with water, easy to clean
  - > The large removable basket with check valve prevents impurities from falling into the filter
  - > The large water content extends maintenance intervals
  - > The possibility of cleaning the filter without emptying completely reduces the amount of chemical additives to be replenished after each maintenance operation
- Anti-condensation insulation casing available upon request



### Automatic air vent valve

to eliminate air at the filling stage, complete with the ball shut-off valve.

### Dosage point

to add treatment fluids. Easily accessible. Plugged when supplied. G 1/2" plug.

### Sudden section increase

It causes the fluid to slow down. The settling of particles due to the effect of gravity is favoured.

### Wall mounting bracket

### Filtering mesh

Stainless steel stretched mesh (100 micron filtration degree) contained in a basket that can be easily pulled out from above. This is equipped with an automatic closing shutter, located at the bottom, to prevent leakage of impurities during maintenance.

### Magnetic filtering unit

Powerful neodymium magnets to capture ferrous particles such as rust that form due to corrosion during the normal operation of a system, metal debris, processing residues, etc. The magnet assembly is protected from direct contact with water by a removable conduit that makes filter cleaning operations easier.

### Accumulation zone

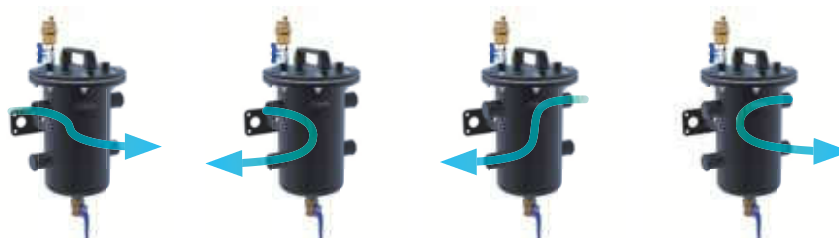
Large and very far from the flow passage, resulting in less frequent maintenance work.

### Drain ball valve

Size 3/4".

LEGEND: → Dirty water → Clean water

## AVAILABLE INSTALLATION SETUPS:



## 3541

### Self-cleaning magnetic dirt separator filter for water.

**With drain ball valve.**

**Suitable for boiler room.**

Main body and flanges in painted steel on the outside  
Steel cover

Elastomer seals

AISI stainless steel filter basket

Pair of pressure gauges, 0-10 bar scale

PN16 flanged couplings

- Max operating pressure 10 Bar
- Max operating temperature 95 °C
- Neodymium magnets
- Filtering grade 100 µm

■ Technical drawing, page 11.07



- MG Plus Self-cleaning magnetic dirt separator for boiler room
- *MG Plus Filtre séparateur de boues magnétique autonettoyant pour centrale thermique*
- *MG Plus Самоочищающийся магнитный фильтр-грязеотделитель для котельной*
- *MG Plus Filtru separator de nămol magnetic cu autocurăţare pentru centrala termică*
- *MG Plus Filtro desfangador magnético de autolimpieza para central térmica*
- *MG Plus Magnetischer, automatisch reinigender Entschlammungsfilter für Heizanlage*

Code Code Артикул Cod Código Code	Size Taille Размер Dimensiune Medida Abmessung	Kv (m <sup>3</sup> /h) Kv (m <sup>3</sup> /h) Kv (m <sup>3</sup> /h) Kv (m <sup>3</sup> /h) Kv (m <sup>3</sup> /h)	EURO EURO EURO EURO EURO	Pack Cond. Упак. Cutie Caja Pack.	Carton Emballage Кор. Ambalaj Embalaje Verpack.
3541.09.10	DN50	14* - 23**	-	1	1
3541.10.10	DN65	35* - 46**	-	1	1
3541.11.10	DN80	42* - 57**	-	1	1
3541.13.10	DN100	55* - 73**	-	1	1
3541.14.10	DN125	100* - 131**	-	1	1
3541.15.10	DN150	141* - 173**	-	1	1

\* Flow rate with 20 kPa pressure drop

\*\* Flow rate with 30 kPa pressure drop



**Flange suitable for coupling with counter-flange UNI EN 1092-1.**

026

## 3601

### Thermal insulation consisting of semi-casings and expanded polyethylene cover with external anti-scratch film coating.

Half-bearings fixed with double-sided adhesive tape already applied.

- Fire behaviour class I
- Density 33 kg/m<sup>3</sup>
- Max operating temperature -40 ÷ +90 °C



- MG Plus magnetic dirt separator filter thermal casing
- *Coque thermique filtre-séparateur de boues magnétique MG Plus*
- *Теплоизоляционный кожух самоочищающегося магнитного фильтра-грязеотделителя*
- *Carcasă termică pentru filtru separator de nămol magnetic MG Plus*
- *Protección térmica filtro desfangador magnético MG Plus*
- *Thermisches Gehäuse magnetischer Entschlammungsfilter MG Plus*

Code Code Артикул Cod Código Code	Size Taille Размер Dimensiune Medida Abmessung	EURO EURO EURO EURO EURO	Pack Cond. Упак. Cutie Caja Pack.	Carton Emballage Кор. Ambalaj Embalaje Verpack.
3601.09.02	DN50	-	1	1
3601.10.02	DN65	-	1	1
3601.11.02	DN80	-	1	1
3601.13.02	DN100	-	1	1
3601.14.02	DN125	-	1	1
3601.15.02	DN150	-	1	1

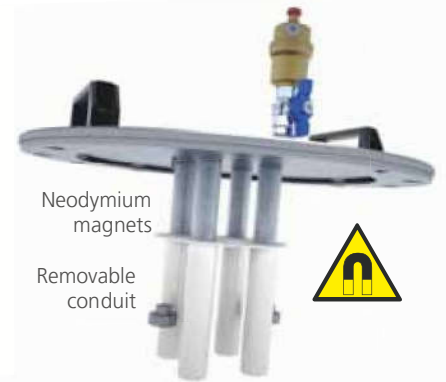
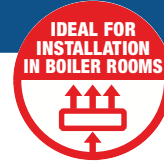


**Thermal insulation suitable for 3541 series MG Plus magnetic dirt separator filter insulation.**

041

# MG PLUS

## SELF-CLEANING DIRT SEPARATOR WITH MAGNETS FOR BOILER ROOMS



### Magnetic filtering unit

Powerful neodymium magnets to capture ferrous particles such as rust that form due to corrosion during the normal operation of a system, metal debris, processing residues, etc. The magnet assembly is protected by direct contact with water by a removable conduit that makes filter cleaning operations easier.

**MG Plus**, a self-cleaning multifunction dirt separator filter with magnets for boiler rooms, represents the best solution to solve plant problems due to pollution resulting from particles of sand and rust that form due to corrosion and incrustations during the normal operation of a system. Thanks to **its powerful magnetic capacity, its size and the flanged connections, MG Plus is used in industrial, commercial and large-scale civil systems.** Through its effective and constant action, the filter collects all the impurities present in the system, preventing them from circulating within it, thus avoiding wear and damage of all the components making up the system. The impurities blocked by the filter accumulate inside the basket. Cleaning starts by opening the designated discharge valve. In this way all the magnetic contaminants (ferrous residues) and non-magnetic (algae, sludge, sand...) in the system are removed.

### Sudden section increase

it causes the fluid to slow down. Average incoming speed: 2.5 m/s Average speed after the filter inlet: 0.2 m/s The settling of particles due to the effect of gravity is favoured.



- Removes any impurity
- Self-cleaning
- Maintains optimum system efficiency
- Application in industrial, commercial and large-scale civil systems
- Reinforced stainless steel filtering mesh with 100 micron filtering degree
- Fitted with a dosage point to add treatment fluids, easily accessible
- Limited overall dimensions (in relation to the product category)
- Reduced maintenance costs:
  - > Magnets protected from contact with water, easy to clean
  - > The large removable basket with check valve prevents impurities from falling into the filter
  - > The large water content extends maintenance intervals
  - > The possibility of cleaning the filter without emptying completely reduces the amount of chemical additives to be replenished after each maintenance operation
- Anti-condensation insulation casing available upon request

### Automatic air vent valve

to eliminate air at the filling stage, complete with the ball shut-off valve.

### Pair of pressure gauges

through the display of the differential pressure, it is possible to assess the degree of clogging of the filter.

### Base

adjustable height.

### Filtering mesh

stainless steel stretched mesh (100 micron filtration degree) contained in a basket that can be easily pulled out from above. This is equipped with an automatic closing shutter, located at the bottom, to prevent leakage of impurities during maintenance.

### Accumulation zone

Large and very far from the flow passage, resulting in less frequent maintenance work.

### Drain ball valve

Size 1" 1/4.

LEGEND: → Dirty water → Clean water

